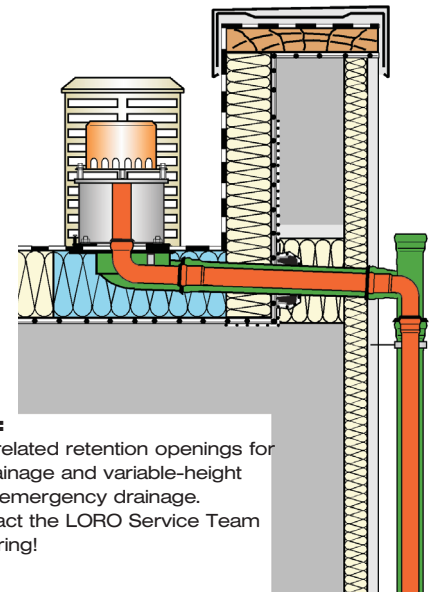


Specification sheet LX 1890

Retention roof drainage Main emergency combination

Main drainage		Emergency drainage	
Gravity flow		Siphonic flow	
Combined			
Silent		Silent	
Discharge rate: acc. to calculation		Discharge rate: 7,1 l/sec	
Water height: acc. to calculation		Water height: 55 mm over retention pipe	
Roof penetration: 106 mm		Roof penetration: 106 mm	
Diameter: DN 100		Diameter: DN 50	
LX-Number: LX1890		LX-Number: LX1890	
Weir height: 0 mm		Weir height: 100 mm	
Drain: belüftet		Drain: not ventilated	
Downpipe: belüftet		Downpipe: not ventilated	
Downpipe height: min.4,2 m		Downpipe height: 0 m	
Drainage: in sewer		Drainage: on floor	
Flange: Clamping flange		Flange: Clamping flange	



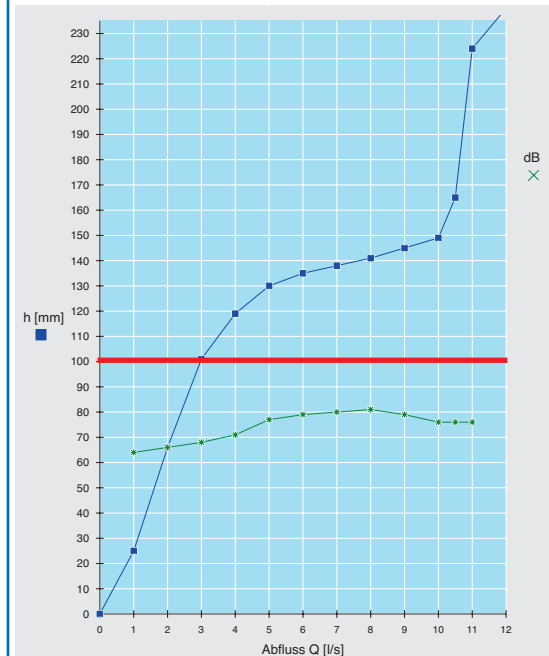
Attention:
with object-related retention openings for the main drainage and variable-height weir for the emergency drainage. Please contact the LORO Service Team before ordering!

LX 1890 Piece list

- 1 x Art.-No. 01475.100 Retention Main emergency
- 2 x Art.-No. 01201.100X, LORO-X Pipe with one socket
- 1 x Art.-No. 01302.050X, LORO-X Pipe with one socket
- 1 x Art.-No. 13500.100X, LORO-X Branch
- 1 x Art.-No. 01101.100X, LORO-X Pipe with one socket
- 1 x Art.-No. 13235.100X, LORO-X Sliding flange

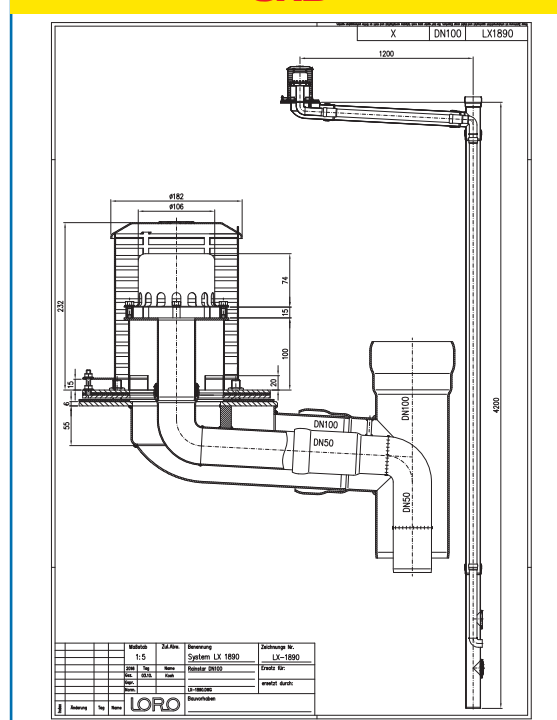
- 1 x Art.-No. 13503.100X, LORO-X Stand pipe
- 2 x Art.-No. 00911.050X, LORO-X Sealing elements
- 5 x Art.-No. 09911.100X, LORO X Sealing elements
- 3 x Art.-No. 00974.100X, LORO-X Pipe clips
- 3 x Art.-No. 09604.100X, LORO-X Threaded rods
- 1 x Art.-No. 00986.000X, LORO-X Lubricant

hQ - Retentionsdrosselkurve

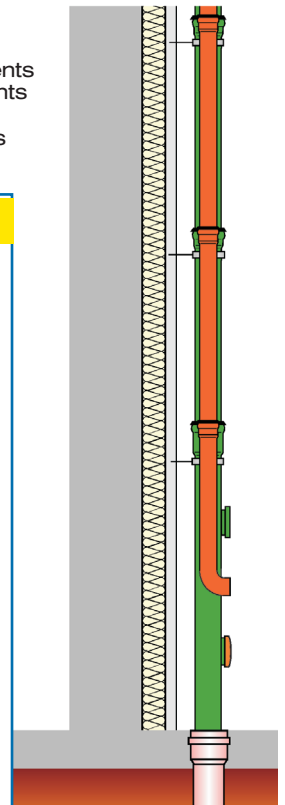


Systempower

CAD



Systemshape



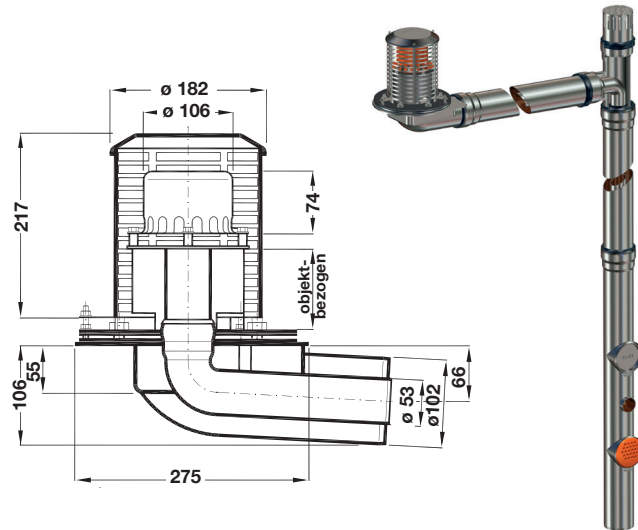
Water height	mm	30	40	50	60	70	80	90	100	110	120	130	140	150	160	170	180	190	200	
Discharge	l/sec	according to the calculation									0,6	1,1	2,1	4,7	7,1	7,4	7,6	7,7	7,8	7,9
Silent																				

LORO-X main and emergency combination retention roof drainage system

LX1890-4X

Main and emergency combination retention roof drainage system
Art.-No. 01475.100X

with clamping flange
for bituminous and plastic roofing sheets



LORO-Branch - Pipe in Pipe-

- for LORO-X main and emergency combination retention roof drainage, made of galvanized steel, DN 100/50

Art.-No. 13500.100X
Weight: 3,1 kg



LORO-X Stand pipe with siphonic spout

length 1000 mm
Art.-No. 13503.100X
Weight: 6,7 kg



LORO-X Pipe with long socket

-emergency drain pipe(inner pipe) for combined LORO-X main & emergency parapet drains, made of galvanised steel, DN 50

length 500 mm
Art.-No. 01302.050X



Heat tracing: Lorowerk recommends to check all drains and pipes with regard to their frost-sensibility. Where necessary, these parts should be upgraded with heat tracing.